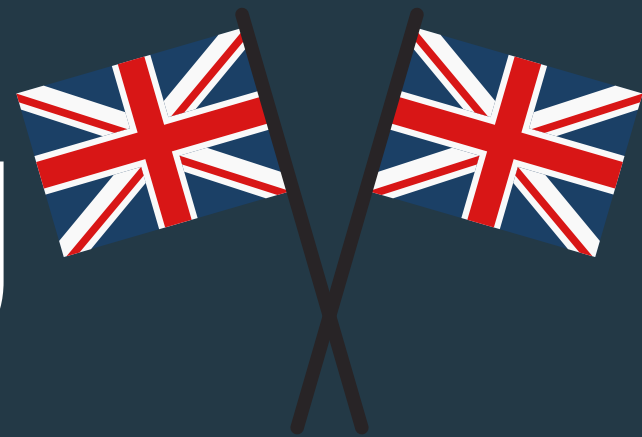


OUR MENU



www.larosedesvents-merignac.com/menus

STARTERS

MÉLI MÉLO 12€
Melon and Watermelon with Iberian Ham

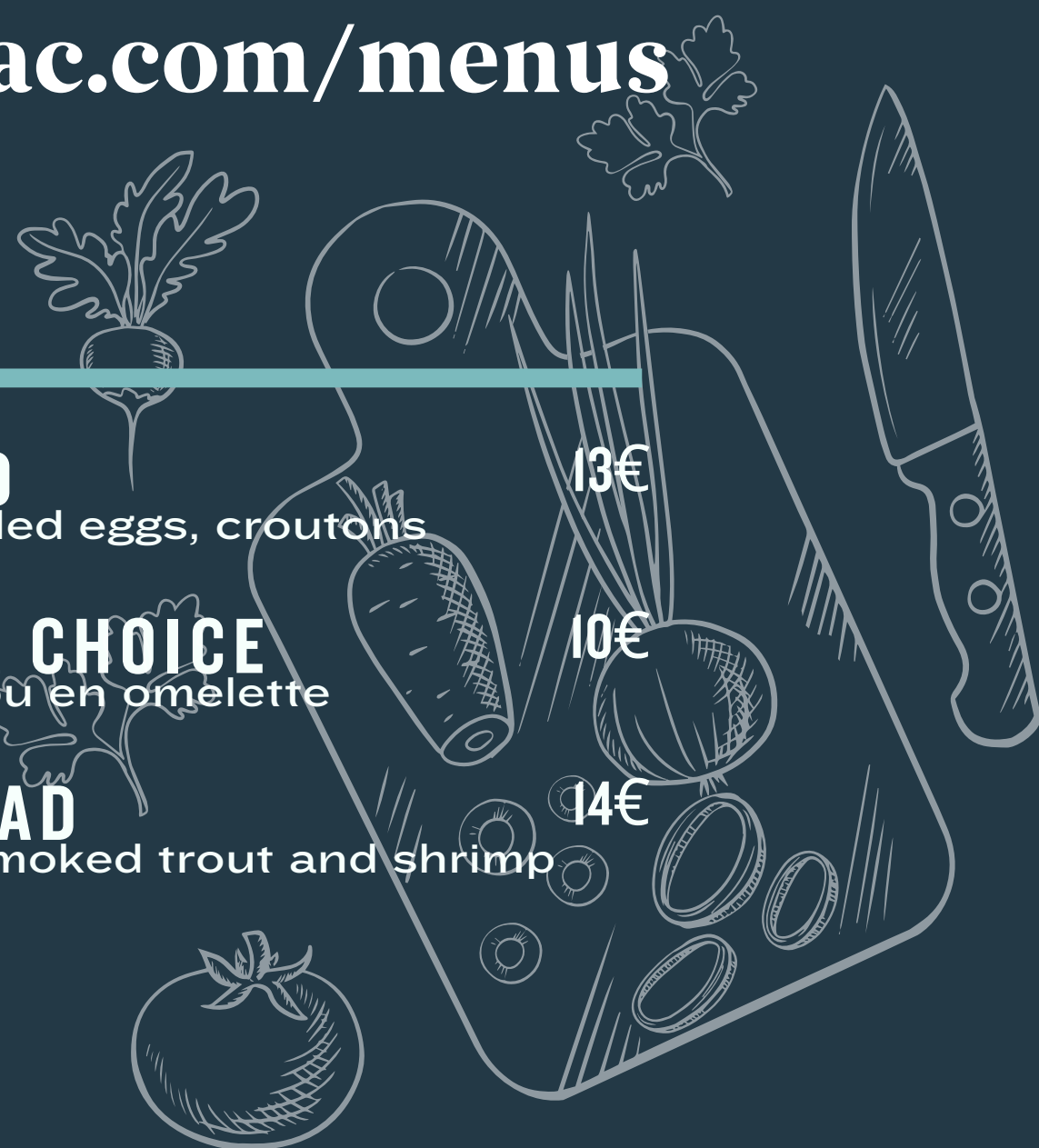
HEIRLOOM TOMATOES 12€
& its burrat

PAN-FRIED SCALLOPS 15€
& Seared Shrimp

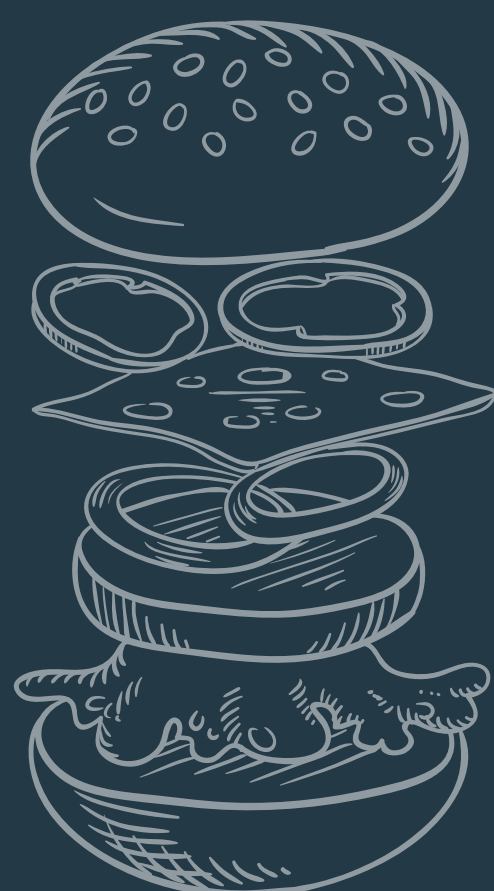
CAESAR SALAD 13€
Crispy chicken, boiled eggs, croutons

EGGS OF YOUR CHOICE 10€
Cocotte, brouillés ou en omelette

SEA FOOD SALAD 14€
Bellevue salmon, smoked trout and shrimp



DISHES



PAN FRIED VEGETABLES 13.50€
Garden vegetables vegan

PASTA WITH CHICKEN 14€
Tomato & basil sauce with vegetables

FISH OF THE DAY 15€
Vegetables and rice

HOMEMADE BEEF BURGER 15€
French fries and salad

GRILLED LAMB CHOPS 17€
Vegetables & potato pancakes

TARTARE DE BOEUF 15€

DESSERTS

FRUITS SALAD 5€
Fresh fruits and ice cream

FINGER CHOCOLAT 6€
& its red fruits

WAFFLE PYRAMID 7€
Old fashioned way

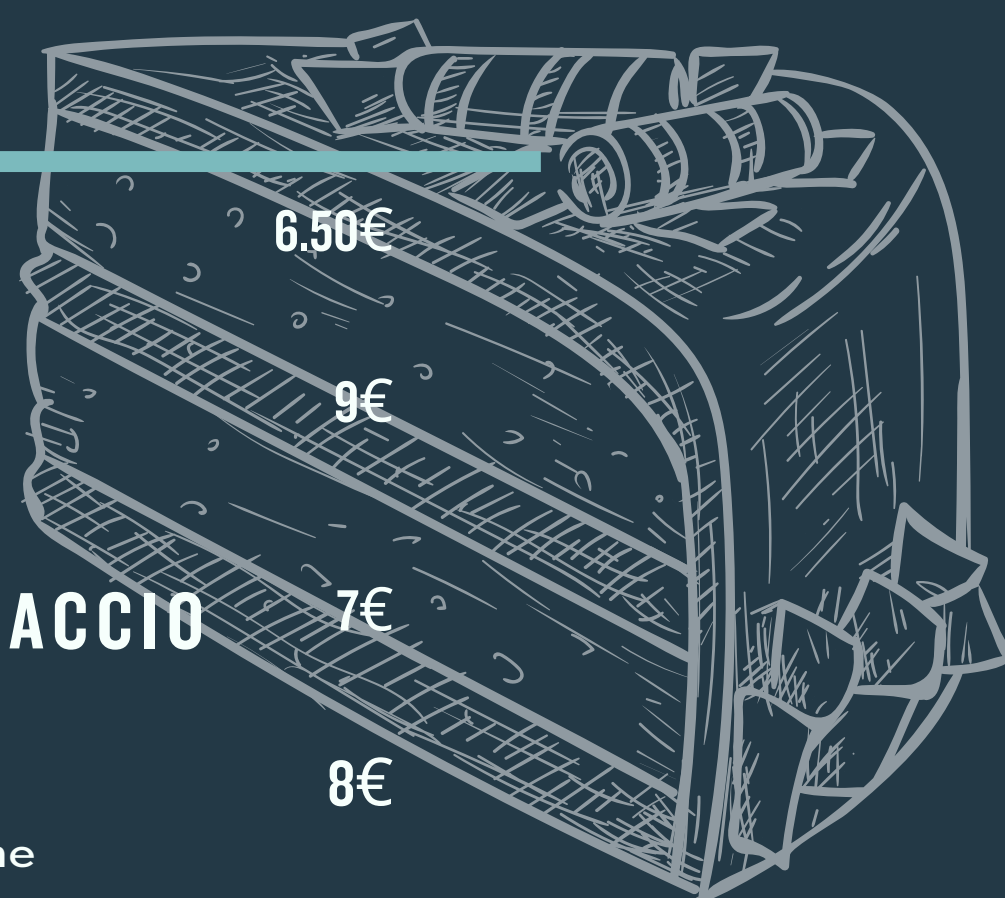
ICE CREAM 8€

CRÈME BRULÉE 6.50€
100% homemade

CAFÉ GOURMAND 9€

PINEAPPLE CARPACCIO 7€

CHEESE PLATE 8€
Bleu d'Auvergne, Fourme d'Ambert & Cantal



Enjoy your meals !

 Hôtel Kyriad Prestige Bordeaux Mérignac

 Kyriad Prestige Bordeaux Mérignac

 kyriadprestige_bdxmerignac