

# OUR MENU



[www.larosedesvents-merignac.com/menus](http://www.larosedesvents-merignac.com/menus)

## STARTERS

**HOMEMADE SOUP** 9€

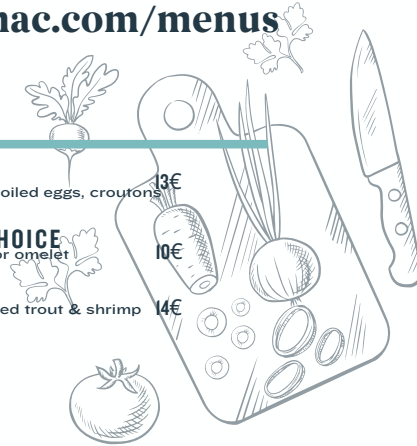
**GOAT CHEESE SALAD** 10€  
Nuts, Mesclun, Bacon & tomatoes

**PAN-FRIED SCALLOPS** 15€  
& snacked shrimps

**CEASAR SALAD** 13€  
Crispy chicken, Hard-boiled eggs, croutons

**EGGS OF YOUR CHOICE** 10€  
Casserole, scrambled or omelet

**SEA PLATE** 14€  
Bellevue salmon, smoked trout & shrimp



## DISHES

**PAN FRIED VEGETABLES** 13.50€  
Garden vegetables vegan

**PASTA WITH CHICKEN** 14€  
Tomato & basil sauce with vegetables

**FISH OF THE DAY** 15€  
Vegetables and rice

**BEEF BURGER** 15€  
French fries and salad

**VEAL CHOP** 18€  
Mashed potatoes & mushrooms sauce

**GRILLED LAMB CHOPS** 17€  
Vegetables & potato pancakes

**TARTARE DE BOEUF** 15€

## DESSERTS

**FRUIT SALAD** 5€  
Fresh fruit & sorbet

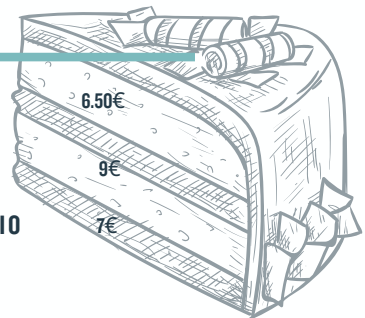
**PANNA COTTA** 5€  
with Mango

**CHOCOLATE CAKE** 6€

**CRÈME BRULÉE** 6.50€  
100% maison

**COFFEE GOURMAND** 9€

**PINAPPLE CARPACCIO** 7€



**Enjoy your meals !**

